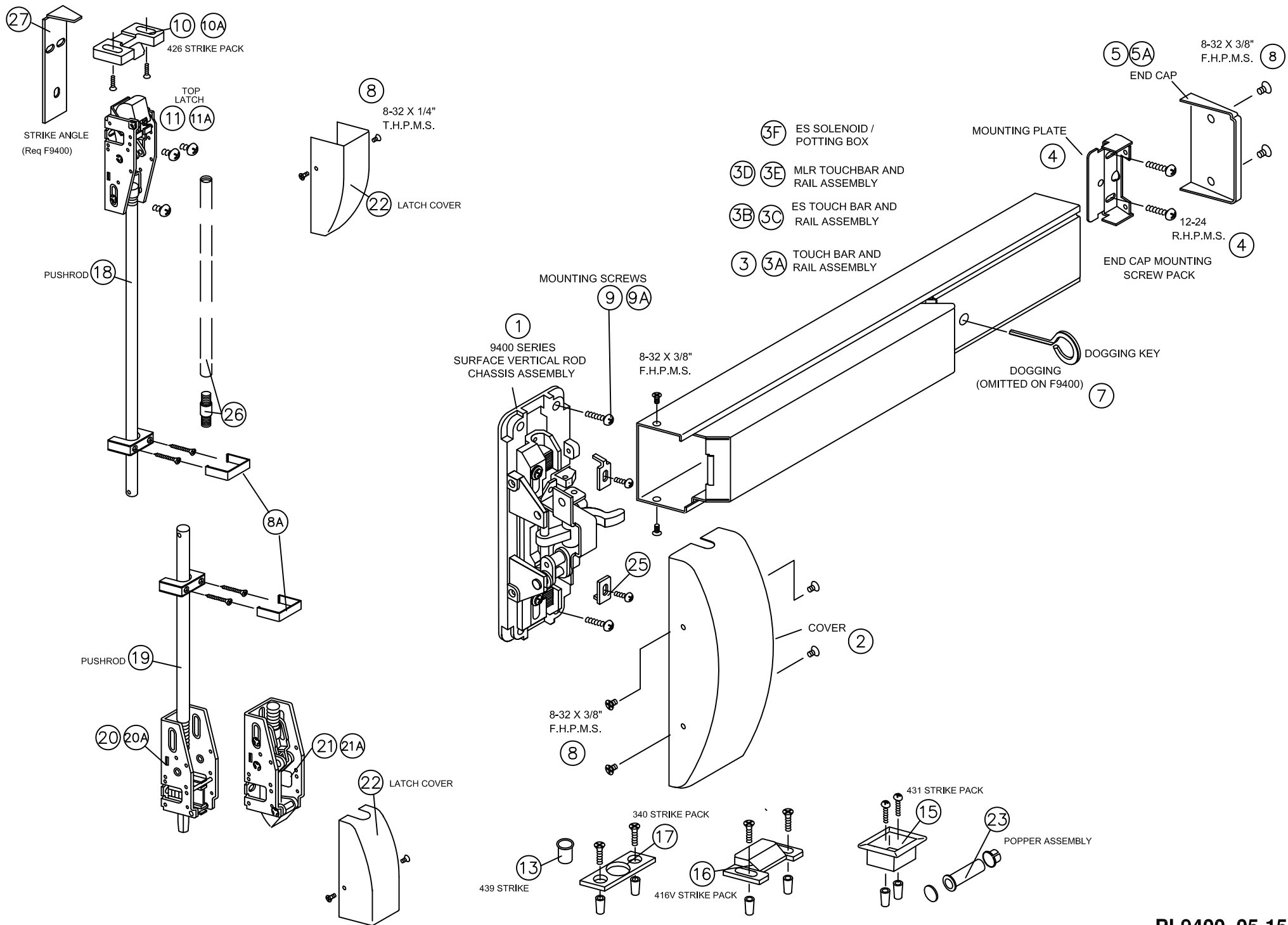


PARTS LIST 9400/F9400 SERIES SURFACE VERTICAL ROD EXIT DEVICE



9400/F9400 SERVICE PARTS LIST (Rev 05-15)

Balloon #	Item #	Part #	DESCRIPTION
1	CHASASSY94	95056390	CHASSIS ASSEMBLY 9400 SVR RH EXIT DEVICE
25	RODPLATESCRW	18002372	SVR ROD RETAINING PLATE AND SCREWS
2	CHCOV94 689	18002312	CHASSIS COVER 9400 SVR 689
2	CHCOV94 695	18002313	CHASSIS COVER 9400 SVR 695
2	CHCOV94 696	18002314	CHASSIS COVER 9400 SVR 696
2	CHCOV94 691	18002315	CHASSIS COVER 9400 SVR 691
2	CHCOV94 693	CHCOV94 693	CHASSIS COVER 9400 SVR 693
2	CHCOV94 605	95057260	CHASSIS COVER 9400 SVR 605
2	CHCOV94 606	18002317	CHASSIS COVER 9400 SVR 606
2	CHCOV94 611	18002323	CHASSIS COVER 9400 SVR 611
2	CHCOV94 612	18002318	CHASSIS COVER 9400 SVR 612
2	CHCOV94 613	18002321	CHASSIS COVER 9400 SVR 613
2	CHCOV94 619	95065678	CHASSIS COVER 9400 SVR 619
2	CHCOV94 625	18002324	CHASSIS COVER 9400 SVR 625
2	CHCOV94 626	18002320	CHASSIS COVER 9400 SVR 626
2	CHCOV94 630	18002319	CHASSIS COVER 9400 SVR 630
3	TBRA689	18002220	TBAR ASSY, 9000 A 689
3	TBRA695	18002221	TBAR ASSY, 9000 A 695
3	TBRA696	18002222	TBAR ASSY, 9000 A 696
3	TBRA691	18002223	TBAR ASSY, 9000 A 691
3	TBRA693	18003010	TBAR ASSY, 9000 A 693
3	TBRA605	18002230	TBAR ASSY, 9000 A 605
3	TBRA606	18002225	TBAR ASSY, 9000 A 606
3	TBRA611	18002231	TBAR ASSY, 9000 A 611
3	TBRA612	18002226	TBAR ASSY, 9000 A 612
3	TBRA613	18002229	TBAR ASSY, 9000 A 613
3	TBRA619	TBRA619	TBAR ASSY, 9000 A 619
3	TBRA625	18002232	TBAR ASSY, 9000 A 625
3	TBRA626	18002228	TBAR ASSY, 9000 A 626
3	TBRA630	18002227	TBAR ASSY, 9000 A 630
3	TBRB689	18002233	TBAR ASSY, 9000 B 689
3	TBRB695	18002234	TBAR ASSY, 9000 B 695
3	TBRB696	18002235	TBAR ASSY, 9000 B 696
3	TBRB691	18002236	TBAR ASSY, 9000 B 691
3	TBRB693	95071628	TBAR ASSY, 9000 B 693
3	TBRB605	18002243	TBAR ASSY, 9000 B 605
3	TBRB606	18002238	TBAR ASSY, 9000 B 606
3	TBRB611	18002244	TBAR ASSY, 9000 B 611
3	TBRB612	18002239	TBAR ASSY, 9000 B 612
3	TBRB613	18002242	TBAR ASSY, 9000 B 613
3	TBRB619	TBRB619	TBAR ASSY, 9000 B 619
3	TBRB625	18002245	TBAR ASSY, 9000 B 625
3	TBRB626	18002241	TBAR ASSY, 9000 B 626
3	TBRB630	18002240	TBAR ASSY, 9000 B 630
3A	FTBRA689	18002246	TBAR ASSY, F9000 A 689
3A	FTBRA695	18002247	TBAR ASSY, F9000 A 695
3A	FTBRA696	18002248	TBAR ASSY, F9000 A 696
3A	FTBRA691	18002249	TBAR ASSY, F9000 A 691
3A	FTBRA693	FTBRA693	TBAR ASSY, F9000 A 693
3A	FTBRA605	18002256	TBAR ASSY, F9000 A 605
3A	FTBRA606	18002251	TBAR ASSY, F9000 A 606
3A	FTBRA611	18002257	TBAR ASSY, F9000 A 611
3A	FTBRA612	18002252	TBAR ASSY, F9000 A 612
3A	FTBRA613	18002255	TBAR ASSY, F9000 A 613
3A	FTBRA619	95071619	TBAR ASSY, F9000 A 619
3A	FTBRA625	18002258	TBAR ASSY, F9000 A 625
3A	FTBRA626	18002254	TBAR ASSY, F9000 A 626
3A	FTBRA630	18002253	TBAR ASSY, F9000 A 630
3A	FTBRB689	18002259	TBAR ASSY, F9000 B 689
3A	FTBRB695	18002260	TBAR ASSY, F9000 B 695
3A	FTBRB696	18002261	TBAR ASSY, F9000 B 696
3A	FTBRB691	18002262	TBAR ASSY, F9000 B 691
3A	FTBRB693	FTBRB693	TBAR ASSY, F9000 B 693
3A	FTBRB605	18002269	TBAR ASSY, F9000 B 605
3A	FTBRB606	18002264	TBAR ASSY, F9000 B 606
3A	FTBRB611	18002270	TBAR ASSY, F9000 B 611
3A	FTBRB612	18002265	TBAR ASSY, F9000 B 612
3A	FTBRB613	18002268	TBAR ASSY, F9000 B 613
3A	FTBRB619	FTBRB619	TBAR ASSY, F9000 B 619
3A	FTBRB625	18002271	TBAR ASSY, F9000 B 625

9400/F9400 SERVICE PARTS LIST (Rev 05-15)

Balloon #	Item #	Part #	DESCRIPTION
3A	FTBRB626	18002267	TBAR ASSY, F9000 B 626
3A	FTBRB630	18002266	TBAR ASSY, F9000 B 630
3B	ES TBRA689	ES TBRA689	ES TBAR ASSY, 9000 A 689 (REQUIRES PS501 PS)
3B	ES TBRA695	95071312	ES TBAR ASSY, 9000 A 695 (REQUIRES PS501 PS)
3B	ES TBRA696	ES TBRA696	ES TBAR ASSY, 9000 A 696 (REQUIRES PS501 PS)
3B	ES TBRA691	ES TBRA691	ES TBAR ASSY, 9000 A 691 (REQUIRES PS501 PS)
3B	ES TBRA693	ES TBRA693	ES TBAR ASSY, 9000 A 693 (REQUIRES PS501 PS)
3B	ES TBRA605	ES TBRA605	ES TBAR ASSY, 9000 A 605 (REQUIRES PS501 PS)
3B	ES TBRA606	ES TBRA606	ES TBAR ASSY, 9000 A 606 (REQUIRES PS501 PS)
3B	ES TBRA611	ES TBRA611	ES TBAR ASSY, 9000 A 611 (REQUIRES PS501 PS)
3B	ES TBRA612	ES TBRA612	ES TBAR ASSY, 9000 A 612 (REQUIRES PS501 PS)
3B	ES TBRA613	18003109	ES TBAR ASSY, 9000 A 613 (REQUIRES PS501 PS)
3B	ES TBRA619	ES TBRA619	ES TBAR ASSY, 9000 A 619 (REQUIRES PS501 PS)
3B	ES TBRA625	ES TBRA625	ES TBAR ASSY, 9000 A 625 (REQUIRES PS501 PS)
3B	ES TBRA626	95059945	ES TBAR ASSY, 9000 A 626 (REQUIRES PS501 PS)
3B	ES TBRA630	18003028	ES TBAR ASSY, 9000 A 630 (REQUIRES PS501 PS)
3B	ES TBRB689	95070329	ES TBAR ASSY, 9000 B 689 (REQUIRES PS501 PS)
3B	ES TBRB695	95063255	ES TBAR ASSY, 9000 B 695 (REQUIRES PS501 PS)
3B	ES TBRB696	ES TBRB696	ES TBAR ASSY, 9000 B 696 (REQUIRES PS501 PS)
3B	ES TBRB691	ES TBRB691	ES TBAR ASSY, 9000 B 691 (REQUIRES PS501 PS)
3B	ES TBRB693	ES TBRB693	ES TBAR ASSY, 9000 B 693 (REQUIRES PS501 PS)
3B	ES TBRB605	95057899	ES TBAR ASSY, 9000 B 605 (REQUIRES PS501 PS)
3B	ES TBRB606	95055775	ES TBAR ASSY, 9000 B 606 (REQUIRES PS501 PS)
3B	ES TBRB611	ES TBRB611	ES TBAR ASSY, 9000 B 611 (REQUIRES PS501 PS)
3B	ES TBRB612	95057701	ES TBAR ASSY, 9000 B 612 (REQUIRES PS501 PS)
3B	ES TBRB613	95055569	ES TBAR ASSY, 9000 B 613 (REQUIRES PS501 PS)
3B	ES TBRB619	ES TBRB619	ES TBAR ASSY, 9000 B 619 (REQUIRES PS501 PS)
3B	ES TBRB625	95071353	ES TBAR ASSY, 9000 B 625 (REQUIRES PS501 PS)
3B	ES TBRB626	95055776	ES TBAR ASSY, 9000 B 626 (REQUIRES PS501 PS)
3B	ES TBRB630	95055719	ES TBAR ASSY, 9000 B 630 (REQUIRES PS501 PS)
3C	ES FTBRA689	ES FTBRA689	ES TBAR ASSY, F9000 A 689 (REQUIRES PS501 PS)
3C	ES FTBRA695	ES FTBRA695	ES TBAR ASSY, F9000 A 695 (REQUIRES PS501 PS)
3C	ES FTBRA696	ES FTBRA696	ES TBAR ASSY, F9000 A 696 (REQUIRES PS501 PS)
3C	ES FTBRA691	ES FTBRA691	ES TBAR ASSY, F9000 A 691 (REQUIRES PS501 PS)
3C	ES FTBRA693	ES FTBRA693	ES TBAR ASSY, F9000 A 693 (REQUIRES PS501 PS)
3C	ES FTBRA605	ES FTBRA605	ES TBAR ASSY, F9000 A 605 (REQUIRES PS501 PS)
3C	ES FTBRA606	ES FTBRA606	ES TBAR ASSY, F9000 A 606 (REQUIRES PS501 PS)
3C	ES FTBRA611	ES FTBRA611	ES TBAR ASSY, F9000 A 611 (REQUIRES PS501 PS)
3C	ES FTBRA612	95070564	ES TBAR ASSY, F9000 A 612 (REQUIRES PS501 PS)
3C	ES FTBRA613	95060991	ES TBAR ASSY, F9000 A 613 (REQUIRES PS501 PS)
3C	ES FTBRA619	ES FTBRA619	ES TBAR ASSY, F9000 A 619 (REQUIRES PS501 PS)
3C	ES FTBRA625	ES FTBRA625	ES TBAR ASSY, F9000 A 625 (REQUIRES PS501 PS)
3C	ES FTBRA626	95056157	ES TBAR ASSY, F9000 A 626 (REQUIRES PS501 PS)
3C	ES FTBRA630	95062893	ES TBAR ASSY, F9000 A 630 (REQUIRES PS501 PS)
3C	ES FTBRB689	95060543	ES TBAR ASSY, F9000 B 689 (REQUIRES PS501 PS)
3C	ES FTBRB695	ES FTBRB695	ES TBAR ASSY, F9000 B 695 (REQUIRES PS501 PS)
3C	ES FTBRB696	ES FTBRB696	ES TBAR ASSY, F9000 B 696 (REQUIRES PS501 PS)
3C	ES FTBRB691	ES FTBRB691	ES TBAR ASSY, F9000 B 691 (REQUIRES PS501 PS)
3C	ES FTBRB693	ES FTBRB693	ES TBAR ASSY, F9000 B 693 (REQUIRES PS501 PS)
3C	ES FTBRB605	ES FTBRB605	ES TBAR ASSY, F9000 B 605 (REQUIRES PS501 PS)
3C	ES FTBRB606	ES FTBRB606	ES TBAR ASSY, F9000 B 606 (REQUIRES PS501 PS)
3C	ES FTBRB611	ES FTBRB611	ES TBAR ASSY, F9000 B 611 (REQUIRES PS501 PS)
3C	ES FTBRB612	ES FTBRB612	ES TBAR ASSY, F9000 B 612 (REQUIRES PS501 PS)
3C	ES FTBRB613	95071185	ES TBAR ASSY, F9000 B 613 (REQUIRES PS501 PS)
3C	ES FTBRB619	ES FTBRB619	ES TBAR ASSY, F9000 B 619 (REQUIRES PS501 PS)
3C	ES FTBRB625	95055759	ES TBAR ASSY, F9000 B 625 (REQUIRES PS501 PS)
3C	ES FTBRB626	95056620	ES TBAR ASSY, F9000 B 626 (REQUIRES PS501 PS)
3C	ES FTBRB630	18003024	ES TBAR ASSY, F9000 B 630 (REQUIRES PS501 PS)
3D	MLR TBR A 689	MLR TBR A 689	MLR TOUCHBAR RAIL ASSY. 9000 A 689 (REQUIRES PS 610RF POWER SUPPLY)
3D	MLR TBR A 695	MLR TBR A 695	MLR TOUCHBAR RAIL ASSY. 9000 A 695 (REQUIRES PS 610RF POWER SUPPLY)
3D	MLR TBR A 696	MLR TBR A 696	MLR TOUCHBAR RAIL ASSY. 9000 A 696 (REQUIRES PS 610RF POWER SUPPLY)
3D	MLR TBR A 691	MLR TBR A 691	MLR TOUCHBAR RAIL ASSY. 9000 A 691 (REQUIRES PS 610RF POWER SUPPLY)
3D	MLR TBR A 693	MLR TBR A 693	MLR TOUCHBAR RAIL ASSY. 9000 A 693 (REQUIRES PS 610RF POWER SUPPLY)
3D	MLR TBR A 605	MLR TBR A 605	MLR TOUCHBAR RAIL ASSY. 9000 A 605 (REQUIRES PS 610RF POWER SUPPLY)
3D	MLR TBR A 606	MLR TBR A 606	MLR TOUCHBAR RAIL ASSY. 9000 A 606 (REQUIRES PS 610RF POWER SUPPLY)
3D	MLR TBR A 611	MLR TBR A 611	MLR TOUCHBAR RAIL ASSY. 9000 A 611 (REQUIRES PS 610RF POWER SUPPLY)
3D	MLR TBR A 612	MLR TBR A 612	MLR TOUCHBAR RAIL ASSY. 9000 A 612 (REQUIRES PS 610RF POWER SUPPLY)

9400/F9400 SERVICE PARTS LIST (Rev 05-15)

Balloon #	Item #	Part #	DESCRIPTION
3D	MLR TBR A 613	MLR TBR A 613	MLR TOUCHBAR RAIL ASSY. 9000 A 613 (REQUIRES PS 610RF POWER SUPPLY)
3D	MLR TBR A 619	MLR TBR A 619	MLR TOUCHBAR RAIL ASSY. 9000 A 619 (REQUIRES PS 610RF POWER SUPPLY)
3D	MLR TBR A 625	MLR TBR A 625	MLR TOUCHBAR RAIL ASSY. 9000 A 625 (REQUIRES PS 610RF POWER SUPPLY)
3D	MLR TBR A 626	MLR TBR A 626	MLR TOUCHBAR RAIL ASSY. 9000 A 626 (REQUIRES PS 610RF POWER SUPPLY)
3D	MLR TBR A 630	95071257	MLR TOUCHBAR RAIL ASSY. 9000 A 630 (REQUIRES PS 610RF POWER SUPPLY)
3D	MLR TBR B 689	MLR TBR B 689	MLR TOUCHBAR RAIL ASSY. 9000 B 689 (REQUIRES PS 610RF POWER SUPPLY)
3D	MLR TBR B 695	MLR TBR B 695	MLR TOUCHBAR RAIL ASSY. 9000 B 695 (REQUIRES PS 610RF POWER SUPPLY)
3D	MLR TBR B 696	MLR TBR B 696	MLR TOUCHBAR RAIL ASSY. 9000 B 696 (REQUIRES PS 610RF POWER SUPPLY)
3D	MLR TBR B 691	MLR TBR B 691	MLR TOUCHBAR RAIL ASSY. 9000 B 691 (REQUIRES PS 610RF POWER SUPPLY)
3D	MLR TBR B 693	95069238	MLR TOUCHBAR RAIL ASSY. 9000 B 693 (REQUIRES PS 610RF POWER SUPPLY)
3D	MLR TBR B 605	95069222	MLR TOUCHBAR RAIL ASSY. 9000 B 605 (REQUIRES PS 610RF POWER SUPPLY)
3D	MLR TBR B 606	MLR TBR B 606	MLR TOUCHBAR RAIL ASSY. 9000 B 606 (REQUIRES PS 610RF POWER SUPPLY)
3D	MLR TBR B 611	MLR TBR B 611	MLR TOUCHBAR RAIL ASSY. 9000 B 611 (REQUIRES PS 610RF POWER SUPPLY)
3D	MLR TBR B 612	95071423	MLR TOUCHBAR RAIL ASSY. 9000 B 612 (REQUIRES PS 610RF POWER SUPPLY)
3D	MLR TBR B 613	95071367	MLR TOUCHBAR RAIL ASSY. 9000 B 613 (REQUIRES PS 610RF POWER SUPPLY)
3D	MLR TBR B 619	MLR TBR B 619	MLR TOUCHBAR RAIL ASSY. 9000 B 619 (REQUIRES PS 610RF POWER SUPPLY)
3D	MLR TBR B 625	MLR TBR B 625	MLR TOUCHBAR RAIL ASSY. 9000 B 625 (REQUIRES PS 610RF POWER SUPPLY)
3D	MLR TBR B 626	MLR TBR B 626	MLR TOUCHBAR RAIL ASSY. 9000 B 626 (REQUIRES PS 610RF POWER SUPPLY)
3D	MLR TBR B 630	95071295	MLR TOUCHBAR RAIL ASSY. 9000 B 630 (REQUIRES PS 610RF POWER SUPPLY)
3E	MLR FTBR A 689	MLR FTBR A 689	MLR TOUCHBAR RAIL ASSY. F9000 A 689 (REQUIRES PS 610RF POWER SUPPLY)
3E	MLR FTBR A 695	MLR FTBR A 695	MLR TOUCHBAR RAIL ASSY. F9000 A 695 (REQUIRES PS 610RF POWER SUPPLY)
3E	MLR FTBR A 696	MLR FTBR A 696	MLR TOUCHBAR RAIL ASSY. F9000 A 696 (REQUIRES PS 610RF POWER SUPPLY)
3E	MLR FTBR A 691	MLR FTBR A 691	MLR TOUCHBAR RAIL ASSY. F9000 A 691 (REQUIRES PS 610RF POWER SUPPLY)
3E	MLR FTBR A 693	MLR FTBR A 693	MLR TOUCHBAR RAIL ASSY. F9000 A 693 (REQUIRES PS 610RF POWER SUPPLY)
3E	MLR FTBR A 605	MLR FTBR A 605	MLR TOUCHBAR RAIL ASSY. F9000 A 605 (REQUIRES PS 610RF POWER SUPPLY)
3E	MLR FTBR A 606	MLR FTBR A 606	MLR TOUCHBAR RAIL ASSY. F9000 A 606 (REQUIRES PS 610RF POWER SUPPLY)
3E	MLR FTBR A 611	MLR FTBR A 611	MLR TOUCHBAR RAIL ASSY. F9000 A 611 (REQUIRES PS 610RF POWER SUPPLY)
3E	MLR FTBR A 612	MLR FTBR A 612	MLR TOUCHBAR RAIL ASSY. F9000 A 612 (REQUIRES PS 610RF POWER SUPPLY)
3E	MLR FTBR A 613	MLR FTBR A 613	MLR TOUCHBAR RAIL ASSY. F9000 A 613 (REQUIRES PS 610RF POWER SUPPLY)
3E	MLR FTBR A 619	MLR FTBR A 619	MLR TOUCHBAR RAIL ASSY. F9000 A 619 (REQUIRES PS 610RF POWER SUPPLY)
3E	MLR FTBR A 625	MLR FTBR A 625	MLR TOUCHBAR RAIL ASSY. F9000 A 625 (REQUIRES PS 610RF POWER SUPPLY)
3E	MLR FTBR A 626	MLR FTBR A 626	MLR TOUCHBAR RAIL ASSY. F9000 A 626 (REQUIRES PS 610RF POWER SUPPLY)
3E	MLR FTBR A 630	95071591	MLR TOUCHBAR RAIL ASSY. F9000 A 630 (REQUIRES PS 610RF POWER SUPPLY)
3E	MLR FTBR B 689	MLR FTBR B 689	MLR TOUCHBAR RAIL ASSY. F9000 B 689 (REQUIRES PS 610RF POWER SUPPLY)
3E	MLR FTBR B 695	MLR FTBR B 695	MLR TOUCHBAR RAIL ASSY. F9000 B 695 (REQUIRES PS 610RF POWER SUPPLY)
3E	MLR FTBR B 696	MLR FTBR B 696	MLR TOUCHBAR RAIL ASSY. F9000 B 696 (REQUIRES PS 610RF POWER SUPPLY)
3E	MLR FTBR B 691	MLR FTBR B 691	MLR TOUCHBAR RAIL ASSY. F9000 B 691 (REQUIRES PS 610RF POWER SUPPLY)
3E	MLR FTBR B 693	MLR FTBR B 693	MLR TOUCHBAR RAIL ASSY. F9000 B 693 (REQUIRES PS 610RF POWER SUPPLY)
3E	MLR FTBR B 605	MLR FTBR B 605	MLR TOUCHBAR RAIL ASSY. F9000 B 605 (REQUIRES PS 610RF POWER SUPPLY)
3E	MLR FTBR B 606	MLR FTBR B 606	MLR TOUCHBAR RAIL ASSY. F9000 B 606 (REQUIRES PS 610RF POWER SUPPLY)
3E	MLR FTBR B 611	MLR FTBR B 611	MLR TOUCHBAR RAIL ASSY. F9000 B 611 (REQUIRES PS 610RF POWER SUPPLY)
3E	MLR FTBR B 612	MLR FTBR B 612	MLR TOUCHBAR RAIL ASSY. F9000 B 612 (REQUIRES PS 610RF POWER SUPPLY)
3E	MLR FTBR B 613	MLR FTBR B 613	MLR TOUCHBAR RAIL ASSY. F9000 B 613 (REQUIRES PS 610RF POWER SUPPLY)
3E	MLR FTBR B 619	MLR FTBR B 619	MLR TOUCHBAR RAIL ASSY. F9000 B 619 (REQUIRES PS 610RF POWER SUPPLY)
3E	MLR FTBR B 625	MLR FTBR B 625	MLR TOUCHBAR RAIL ASSY. F9000 B 625 (REQUIRES PS 610RF POWER SUPPLY)
3E	MLR FTBR B 626	MLR FTBR B 626	MLR TOUCHBAR RAIL ASSY. F9000 B 626 (REQUIRES PS 610RF POWER SUPPLY)
3E	MLR FTBR B 630	95071288	MLR TOUCHBAR RAIL ASSY. F9000 B 630 (REQUIRES PS 610RF POWER SUPPLY)
3D	ESSOLPOTBX	95059477	9000 SERIES SOLENOID & POTTING BOX
	PS610RF	33400018	POWER SUPPLY TO BE USED WITH MLR 9000 SERIES EXITS
	PS501	95008619	POWER SUPPLY USED FOR ES 9000 SERIES EXITS
	ES-2	95047135	ADDITIONAL OR REPLACEMENT CARD FOR PS501 POWER SUPPLY
	ES 105	95003871	POWER TRANSFER RECOMMENDED WITH ES 9000 SERIES EXITS
Contact factory for availability of C & D length touchbar and rail assemblies. Dogging not available on D bar			
4	9AHD ECBRKT	95059476	ENDCAP BRACKET WITH SCREW PACK 9000 (9AHD)
5	9EC 689	18002285	ENDCAP 9000 689 (Includes Endcap Mounting Bracket & Mounting Screws)
5	9EC 691	18002288	ENDCAP 9000 691 (Includes Endcap Mounting Bracket & Mounting Screws)
5	9EC 693	18002296	ENDCAP 9000 693 (Includes Endcap Mounting Bracket & Mounting Screws)
5	9EC 695	18002286	ENDCAP 9000 695 (Includes Endcap Mounting Bracket & Mounting Screws)
5	9EC 696	18002287	ENDCAP 9000 696 (Includes Endcap Mounting Bracket & Mounting Screws)
5	9EC 605	18002295	ENDCAP 9000 605 (Includes Endcap Mounting Bracket & Mounting Screws)
5	9EC 606	18002290	ENDCAP 9000 606 (Includes Endcap Mounting Bracket & Mounting Screws)
5	9EC 611	18002296	ENDCAP 9000 611 (Includes Endcap Mounting Bracket & Mounting Screws)

9400/F9400 SERVICE PARTS LIST (Rev 05-15)

Balloon #	Item #	Part #	DESCRIPTION
5	9EC 612	18002291	ENDCAP 9000 612 (Includes Endcap Mounting Bracket & Mounting Screws)
5	9EC 613	18002294	ENDCAP 9000 613 (Includes Endcap Mounting Bracket & Mounting Screws)
5	9EC 619	18002388	ENDCAP 9000 619 (Includes Endcap Mounting Bracket & Mounting Screws)
5	9EC 625	18002297	ENDCAP 9000 625 (Includes Endcap Mounting Bracket & Mounting Screws)
5	9EC 626	18002293	ENDCAP 9000 626 (Includes Endcap Mounting Bracket & Mounting Screws)
5	9EC 630	18002292	ENDCAP 9000 630 (Includes Endcap Mounting Bracket & Mounting Screws)
5A	F9EC 689	18002298	ENDCAP F9000 689 (Includes Endcap Mounting Bracket & Mounting Screws)
5A	F9EC 691	18002301	ENDCAP F9000 691 (Includes Endcap Mounting Bracket & Mounting Screws)
5A	F9EC 693	18002391	ENDCAP F9000 693 (Includes Endcap Mounting Bracket & Mounting Screws)
5A	F9EC 695	18002299	ENDCAP F9000 695 (Includes Endcap Mounting Bracket & Mounting Screws)
5A	F9EC 696	18002300	ENDCAP F9000 696 (Includes Endcap Mounting Bracket & Mounting Screws)
5A	F9EC 605	18002308	ENDCAP F9000 605 (Includes Endcap Mounting Bracket & Mounting Screws)
5A	F9EC 606	18002303	ENDCAP F9000 606 (Includes Endcap Mounting Bracket & Mounting Screws)
5A	F9EC 611	18002309	ENDCAP F9000 611 (Includes Endcap Mounting Bracket & Mounting Screws)
5A	F9EC 612	18002304	ENDCAP F9000 612 (Includes Endcap Mounting Bracket & Mounting Screws)
5A	F9EC 613	18002307	ENDCAP F9000 613 (Includes Endcap Mounting Bracket & Mounting Screws)
5A	F9EC 619	95061868	ENDCAP F9000 619 (Includes Endcap Mounting Bracket & Mounting Screws)
5A	F9EC 625	18002310	ENDCAP F9000 625 (Includes Endcap Mounting Bracket & Mounting Screws)
5A	F9EC 626	18002306	ENDCAP F9000 626 (Includes Endcap Mounting Bracket & Mounting Screws)
5A	F9EC 630	18002305	ENDCAP F9000 630 (Includes Endcap Mounting Bracket & Mounting Screws)
7	DOGKEYPAK	95002638	DOGGING KEY PACK (10 Keys Pack)
8	9HSCRPAK	95059919	9H SCREW PACK 9300, 695, 691, 613, 693
8	9ISCRPAK	95059536	9I SCREW PACK 9300 689, 628, 630,626,625
8	9JSCRPAK	95061024	9J SCREW PACK 9300 696, 605, 606
8	9KSCRPAK	95070386	9K SCREW PACK 9300 611, 612
8A	9LSCRPAK	95059641	9L ROD GUIDE SCREW PACK 9300, 695, 691, 613, 693
8A	9MSCRPAK	95059550	9M ROD GUIDE SCREW PACK 9300 689, 628, 630,626,625
8A	9NSCRPAK	95059916	9N ROD GUIDE SCREW PACK 9300 696, 605, 606
8A	9PSCRPAK	95059764	9P ROD GUIDE SCREW PACK 9300 611, 612
9	9B CHASSCRPAK	95059479	9B SCREW PACK CHASSIS MOUNTING 9100, 9300, 9400, 9500 9600, 9700, 9800
9A	F 9C CHASSCRPAK	95059917	9C SCREW PACK CHASSIS MOUNTING F 9100, F9300, F9400, F9500, F9600 F9700 F9800
10	426	95059517	TOP STRIKE PACK ANGLE 9400
10A	426A	95059499	TOP STRIKE PACK 9400ANGLE FLUSH TRANSOM
27	94TOPLTCHBRKT	18002206	BRACKET TOP LATCH ASSY F9400
13	439	95059652	STRIKE PACK 9400 BOTTOM
17	340	95060489	STRIKE PACK FLAT BOTTOM
15	431	95059565	STRIKE PACK RECESSED BOTTOM
16	416V	95059629	STRIKE PACK BOTTOM SURFACE
11	SVTOPLTCH	95065661	TOP LATCH ASSEMBLY 9400/9800
11A	FSVTOPLTCH	95056228	TOP LATCH ASSEMBLY F9400/F9800
11	SVTOPLTCHELSTRK	95059549	TOP LATCH ASSEMBLY USED WITH ELECTRIC STRIKE
20	SVBOTSBLTCH	95056293	SLIDE BOLT ASSEMBLY BOTTOM 9400/9800
20A	FSVBOTSBLTCH	95065659	SLIDE BOLT ASSEMBLY BOTTOM F9400/ F9800
23	POPPER	95008528	POPPER ASSEMBLY
21	SVBOTPULLTCH	95063646	LATCH ASSEMBLY PULLMAN BOTTOM 9400/9800
21A	FSVBOTPULLTCH	95065658	LATCH ASSEMBLY PULLMAN BOTTOM F9400/F9800
18	SVRDUPR947 689	18003114	PUSH ROD WITH SCREWS 7FT 689
18	SVRDUPR947 691	18003115	PUSH ROD WITH SCREWS 7FT 691
18	SVRDUPR947 693	18003118	PUSH ROD WITH SCREWS 7FT 693
18	SVRDUPR947 695	18003116	PUSH ROD WITH SCREWS 7FT 695
18	SVRDUPR947 696	18003117	PUSH ROD WITH SCREWS 7FT 696
18	SVRDUPR947 605	18003121	PUSH ROD WITH SCREWS 7FT 605
18	SVRDUPR947 606	18003119	PUSH ROD WITH SCREWS 7FT 606
18	SVRDUPR947 611	18003113	PUSH ROD WITH SCREWS 7FT 611
18	SVRDUPR947 612	18003120	PUSH ROD WITH SCREWS 7FT 612
18	SVRDUPR947 613	18003110	PUSH ROD WITH SCREWS 7FT 613
18	SVRDUPR947 619	95065713	PUSH ROD WITH SCREWS 7FT 619 (630P)
18	SVRDUPR947 625	18003111	PUSH ROD WITH SCREWS 7FT 625

9400/F9400 SERVICE PARTS LIST (Rev 05-15)

Balloon #	Item #	Part #	DESCRIPTION
18	SVRDUPR947 626	18003112	PUSH ROD WITH SCREWS 7FT 626
18	SVRDUPR947 630	18003106	PUSH ROD WITH SCREWS 7FT 630
18	SVRDUPR948 689	18003122	PUSH ROD WITH SCREWS 8FT 689
18	SVRDUPR948 691	18003123	PUSH ROD WITH SCREWS 8FT 691
18	SVRDUPR948 693	18003136	PUSH ROD WITH SCREWS 8FT 693
18	SVRDUPR948 695	18003124	PUSH ROD WITH SCREWS 8FT 695
18	SVRDUPR948 696	18003125	PUSH ROD WITH SCREWS 8FT 696
18	SVRDUPR948 605	18003131	PUSH ROD WITH SCREWS 8FT 605
18	SVRDUPR948 606	18003132	PUSH ROD WITH SCREWS 8FT 606
18	SVRDUPR948 611	18003129	PUSH ROD WITH SCREWS 8FT 611
18	SVRDUPR948 612	18003133	PUSH ROD WITH SCREWS 8FT 612
18	SVRDUPR948 613	18003126	PUSH ROD WITH SCREWS 8FT 613
18	SVRDUPR948 619	95070431	PUSH ROD WITH SCREWS 8FT 619
18	SVRDUPR948 625	18003127	PUSH ROD WITH SCREWS 8FT 625
18	SVRDUPR948 626	18003128	PUSH ROD WITH SCREWS 8FT 626
18	SVRDUPR948 630	18003130	PUSH ROD WITH SCREWS 8FT 630
19	SVRDLWR 689	95056226	LOWER PUSH ROD 9400 689
19	SVRDLWR 691	95065718	LOWER PUSH ROD 9400 691
19	SVRDLWR 693	95065717	LOWER PUSH ROD 9400 693
19	SVRDLWR 695	95057037	LOWER PUSH ROD 9400 695
19	SVRDLWR 696	95065716	LOWER PUSH ROD 9400 696
19	SVRDLWR 605	95057035	LOWER PUSH ROD 9400 605
19	SVRDLWR 606	95057036	LOWER PUSH ROD 9400 606
19	SVRDLWR 611	95065721	LOWER PUSH ROD 9400 611
19	SVRDLWR 612	95061269	LOWER PUSH ROD 9400 612
19	SVRDLWR 613	95057034	LOWER PUSH ROD 9400 613
19	SVRDLWR 619	95065720	LOWER PUSH ROD 9400 619
19	SVRDLWR 625	95065719	LOWER PUSH ROD 9400 625
19	SVRDLWR 626	95056032	LOWER PUSH ROD 9400 626
19	SVRDLWR 630	95056009	LOWER PUSH ROD 9400 630
26	ETR 9400 689	95004846	TOP ROD EXTENDER ADDING 2 FT TO 7FT OR 8 FT SVR 689
26	ETR 9400 691	95004843	TOP ROD EXTENDER ADDING 2 FT TO 7FT OR 8 FT SVR 691
26	ETR 9400 693	95060531	TOP ROD EXTENDER ADDING 2 FT TO 7FT OR 8 FT SVR 693
26	ETR 9400 695	95061091	TOP ROD EXTENDER ADDING 2 FT TO 7FT OR 8 FT SVR 695
26	ETR 9400 696	95061201	TOP ROD EXTENDER ADDING 2 FT TO 7FT OR 8 FT SVR 696
26	ETR 9400 605	95060379	TOP ROD EXTENDER ADDING 2 FT TO 7FT OR 8 FT SVR 605
26	ETR 9400 606	95060928	TOP ROD EXTENDER ADDING 2 FT TO 7FT OR 8 FT SVR 606
26	ETR 9400 611	95004853	TOP ROD EXTENDER ADDING 2 FT TO 7FT OR 8 FT SVR 611
26	ETR 9400 612	95060648	TOP ROD EXTENDER ADDING 2 FT TO 7FT OR 8 FT SVR 612
26	ETR 9400 613	95059850	TOP ROD EXTENDER ADDING 2 FT TO 7FT OR 8 FT SVR 613
26	ETR 9400 619	95065665	TOP ROD EXTENDER ADDING 2 FT TO 7FT OR 8 FT SVR 619
26	ETR 9400 625	95059840	TOP ROD EXTENDER ADDING 2 FT TO 7FT OR 8 FT SVR 625
26	ETR 9400 626	95060312	TOP ROD EXTENDER ADDING 2 FT TO 7FT OR 8 FT SVR 626
26	ETR 9400 630	18003008	TOP ROD EXTENDER ADDING 2 FT TO 7FT OR 8 FT SVR 630
22	LCHCOV 689	95056227	TOP AND BOTTOM LATCH COVER W/ SCREWS 9400 689
22	LCHCOV 691	18002342	TOP AND BOTTOM LATCH COVER W/ SCREWS 9400 691
22	LCHCOV 693	95065666	TOP AND BOTTOM LATCH COVER W/ SCREWS 9400 693
22	LCHCOV 695	18002340	TOP AND BOTTOM LATCH COVER W/ SCREWS 9400 695
22	LCHCOV 696	18002341	TOP AND BOTTOM LATCH COVER W/ SCREWS 9400 696
22	LCHCOV 605	18002349	TOP AND BOTTOM LATCH COVER W/ SCREWS 9400 605
22	LCHCOV 606	18002344	TOP AND BOTTOM LATCH COVER W/ SCREWS 9400 606
22	LCHCOV 611	18002350	TOP AND BOTTOM LATCH COVER W/ SCREWS 9400 611
22	LCHCOV 612	95057514	TOP AND BOTTOM LATCH COVER W/ SCREWS 9400 612
22	LCHCOV 613	95056967	TOP AND BOTTOM LATCH COVER W/ SCREWS 9400 613
22	LCHCOV 619	95065667	TOP AND BOTTOM LATCH COVER W/ SCREWS 9400 619
22	LCHCOV 625	18002351	TOP AND BOTTOM LATCH COVER W/ SCREWS 9400 625
22	LCHCOV 626	95056031	TOP AND BOTTOM LATCH COVER W/ SCREWS 9400 626
22	LCHCOV 630	18002346	TOP AND BOTTOM LATCH COVER W/ SCREWS 9400 630
	94CRKT	95063428	CHASSIS REPAIR KIT 9400
	9DRKIT	95052774	DOGGING REPAIR KIT 9000
	MSKIT	95059473	MICRO SWITCH REQUEST TO EXIT KIT
	CDK KIT A 689	95070582	CYLINDER DOGGING KIT 9000 A 689
	CDK KIT A 691	95002334	CYLINDER DOGGING KIT 9000 A 691
	CDK KIT A 693	95002350	CYLINDER DOGGING KIT 9000 A 693
	CDK KIT A 695	95002338	CYLINDER DOGGING KIT 9000 A 695
	CDK KIT A 696	95002346	CYLINDER DOGGING KIT 9000 A 696

9400/F9400 SERVICE PARTS LIST (Rev 05-15)

Balloon #	Item #	Part #	DESCRIPTION
	CDK KIT A 605	95002352	CYLINDER DOGGING KIT 9000 A 605
	CDK KIT A 606	95002356	CYLINDER DOGGING KIT 9000 A 606
	CDK KIT A 611	95002360	CYLINDER DOGGING KIT 9000 A 611
	CDK KIT A 612	95002364	CYLINDER DOGGING KIT 9000 A 612
	CDK KIT A 613	95002368	CYLINDER DOGGING KIT 9000 A 613
	CDK KIT A 619	CDK KIT A 619	CYLINDER DOGGING KIT 9000 A 619
	CDK KIT A 625	95002372	CYLINDER DOGGING KIT 9000 A 625
	CDK KIT A 626	95002376	CYLINDER DOGGING KIT 9000 A 626
	CDK KIT A 630	95060615	CYLINDER DOGGING KIT 9000 A 630
	CDK KIT B 689	95070582	CYLINDER DOGGING KIT 9000 B 689
	CDK KIT B 691	95002336	CYLINDER DOGGING KIT 9000 B 691
	CDK KIT B 693	95002351	CYLINDER DOGGING KIT 9000 B 693
	CDK KIT B 695	95002340	CYLINDER DOGGING KIT 9000 B 695
	CDK KIT B 696	95002348	CYLINDER DOGGING KIT 9000 B 696
	CDK KIT B 605	95002354	CYLINDER DOGGING KIT 9000 B 605
	CDK KIT B 606	95002358	CYLINDER DOGGING KIT 9000 B 606
	CDK KIT B 611	95002362	CYLINDER DOGGING KIT 9000 B 611
	CDK KIT B 612	95002366	CYLINDER DOGGING KIT 9000 B 612
	CDK KIT B 613	95002370	CYLINDER DOGGING KIT 9000 B 613
	CDK KIT B 619	CDK KIT B 619	CYLINDER DOGGING KIT 9000 B 619
	CDK KIT B 625	95002374	CYLINDER DOGGING KIT 9000 B 625
	CDK KIT B 626	95002378	CYLINDER DOGGING KIT 9000 B 626
	CDK KIT B 630	95059951	CYLINDER DOGGING KIT 9000 B 630
	CYL NUT	95060028	CYLINDER NUT
	CYL DOG BRKT	95060488	CYLINDER DOGGING BRACKET
	BPA KIT A 689	95068960	BATTERY POWERED ALARM 9000 A 689
	BPA KIT A 691	BPA KIT A 691	BATTERY POWERED ALARM 9000 A 691
	BPA KIT A 693	95062045	BATTERY POWERED ALARM 9000 A 693
	BPA KIT A 695	BPA KIT A 695	BATTERY POWERED ALARM 9000 A 695
	BPA KIT A 696	BPA KIT A 696	BATTERY POWERED ALARM 9000 A 696
	BPA KIT A 605	BPA KIT A 605	BATTERY POWERED ALARM 9000 A 605